



FogFree™ Mirror Defogger



Installation Manual

Thank you for purchasing CalorIQ's FogFree Automatic Mirror Defogger. Easy to install, FogFree will provide years of trouble-free service — without your even having to think about it. Just turn on the vanity lights normally and let FogFree do the rest.

Notes

- The installation of this system must conform to the regulations and requirements of all local, regional and national bodies having jurisdiction.
- Turn off electrical power at the service panel before performing the electrical installation portions of these instructions.
- Do not use mirrors with cardboard backings. This reduces the efficiency of the system.
- Make sure back surface of mirror is clean and dry.
- Do not cut or resize the heating unit.
- Attach the mirror to the wall using a method approved by the mirror manufacturer.
- Most codes require the element to be connected to a ground fault circuit interrupter (GFCI).

Preparation

Materials

Supplied by CalorIQ

Check the FogFree element for damage before installation. Creases, tears and other obvious damage may cause the element to malfunction.

Name	Part #	Description
FogFree Element	various	The FogFree warming element
Installation Manual	CM1011	This document

User / Installer Supplied

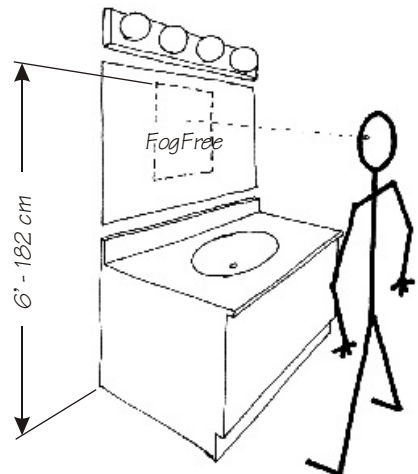
Name	Size	Description
Wire	#14 AWG	2 conductor solid or stranded Romex wire
Remodel Box	2" by 4"	Standard plastic electrical remodel box
Wire Nuts		Standard wire nuts

Determine Element Location

Your new mirror FogFree element should be located so that all of the people in your home can make best use of it. Placing the top edge of the element 6 feet (182 cm) above the floor will accommodate most people's needs. Typically you'll want to center the FogFree element over a sink to make shaving and other daily activities easier.

Mark the wall with the location where you'll be installing the element. The width and height of the element itself will vary depending on which FogFree model you purchased. (If an existing mirror is already in place, remove it so that you can pencil in the location on your wall.)

NOTE: The element provides excellent visibility to anyone



up to about 2" (5 cm) taller than the height of the top of the mirror, so adjust the height accordingly to accommodate the height requirements of your household.

TIP: If you want to defog more area of your mirror, you can install more than one FogFree element. Never overlap elements.

Installation

Install Wiring and Remodel Box

- Using the location you determined above, install the remodel box centered along the top edge of the element, as shown in the accompanying drawing. The exact placement will depend on the model FogFree you have purchased.
- Cut a hole for the remodel box using a sheetrock / keyhole saw.

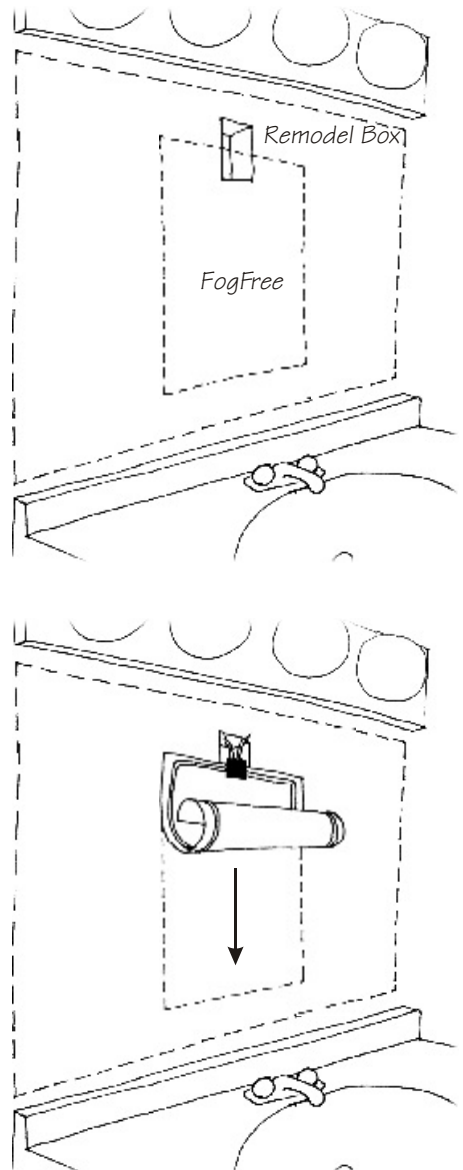
NOTE: Turn off power at the breaker box before proceeding.

- Run the Romex wire from a nearby junction box to the hole you have just cut. Typically, the most convenient junction box is the one that supplies power to the lights above the mirror. This will enable FogFree to be powered automatically whenever you turn on the lights.
- Connect the Romex to the wires inside the junction box.
- Run the Romex through a hole on your remodel box and install the box according to its manufacturer's instructions.

Install No-Fog Element

- Place the element on the wall so that it lines up with your pencil marks. Note that the location where the wires leave the element must be entirely within the area of the remodel box.
- Remove about 2" (5 cm) of release paper from the back of the FogFree element and press the adhesive underneath to the wall. This will hold the element in place while you make the electrical connections.
- Using the wire nuts, connect the two wires from the element to the Romex in the remodel box. It may be necessary to trim and strip some of the wires so that they will fit within the box.

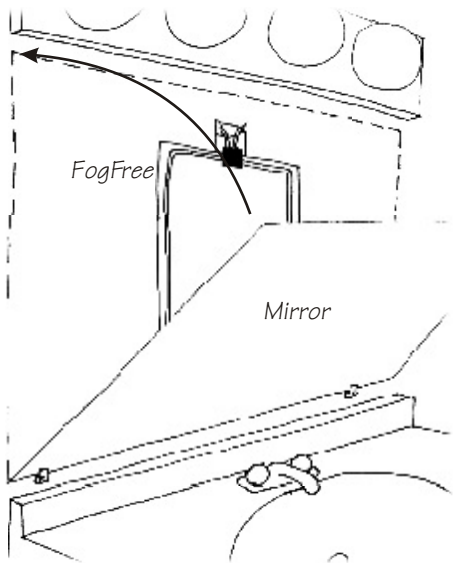
CONTINUED ...



- Remove the rest of the release paper from the back of the element and carefully press the element in place. Make sure that there are no creases or waves in the element — once the element is firmly in place it can not be removed without damage.

Reinstall the Mirror

Reattach the mirror to the wall, ensuring that it fits snugly against the wall with no gaps. The mirror must completely cover the remodel box and element as it forms part of the mechanical protection for the system.



Enjoy a Fog-Free Mirror

With the mirror in place you can turn the breaker back on. The FogFree element will now activate whenever the lights are turned on, ready to keep fog away during even the steamiest showers.



CalorIQ, Ltd.
2380 Cranberry Highway
West Wareham, MA 02806 USA
+1 508.291.4224 voice
+1 508.291.2299 fax
www.calorique.com

Copyright © 2001 CalorIQ, Ltd.
All rights reserved.
Printed in USA CM1011-2002-10-11

Distributed By: